

ULTRA KLEEN™ WIDE SLOT

BEARINGS

Dodge® Ultra Kleen™ Wide Slot Take-Up Frames and E-Z Kleen® Take-Up Bearings for the Food Industry

We recognize the unique hazards that food processing equipment is exposed to and are continuously taking steps toward providing mounted bearing solutions that offer protection against the corrosive environments of the food industry. With higher safety standards and decreased machine downtime in mind, the Dodge Ultra Kleen Wide Slot Take-Up Frame will complement Dodge E-Z Kleen Wide Slot Ball Bearing products.

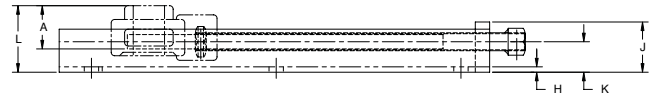
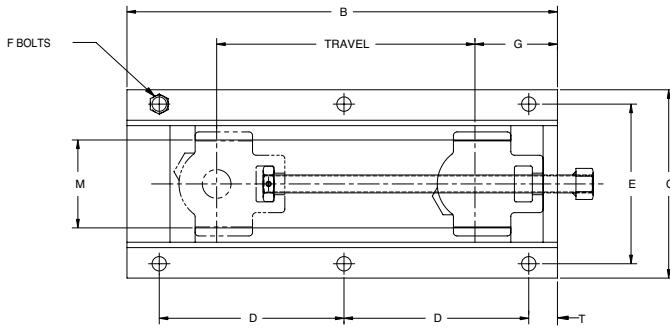


Ultra Kleen Wide Slot Take-Up Frame Features:

- All materials are stainless steel
- Standard sizes WS-300 and WS-308 – other sizes made to order
- Available travel lengths include: 3, 6, 9, 12 and 18"
- Interchangeable with standard Dodge 300 and 308 series Wide Slot Take-Up Frames
- Accepts the Dodge E-Z Kleen Wide Slot Take-Up Bearings

E-Z Kleen Wide Slot Take-Up Bearing Features:

- Injected molded, fiberglass reinforced polymer housing with housing strength that exceeds the bearing static capacity
- Anti-microbial agent in polymer housing retards bacteria and fungus growth
- Available in both setscrew and GripTight® mounting methods
- Proguard Plus positive contact, low drag single lip seal with stainless steel flinger for maximum protection and grease retention
- Available in inch and metric sizes
- Accepts E-Z Kleen "pop-in" style end covers
- All stainless steel hardware and fittings
- Wide Slot Take-Up available in 3/4" to 1-7/16" bore (20mm to 35mm)
- FDA/USDA Compliant



Ultra Kleen Wide Slot Ball Bearing Take-Up Frames

Frame Description	Part No.	Wt. (Lbs.)	B	C	D	E	F		G	H	J	K	M	T
							No.	Dia.						
WSEZ-300X3-TUFR-SSS	038070	6	9		6-7/8		4							
WSEZ-300X6-TUFR-SSS	038071	7.9	12	6-9/16	4-15/16	5-9/16	6	7/16	2-15/16	3/16	1-3/4	1-1/16	3-1/16	1
WSEZ-300X9-TUFR-SSS	038072	9.8	15		6-7/16		6							
WSEZ-300X12-TUFR-SSS	038073	11.7	18		7-15/16		6							
WSEZ-308X3-TUFR-SSS	038074	7.3	9-1/8		6-7/16		4							
WSEZ-308X6-TUFR-SSS	038075	9.4	12-1/8		9-7/16		4							
WSEZ-308X9-TUFR-SSS	038076	11.4	15-1/8	7-1/16	6-7/32	6-1/16	6	7/16	3-11/16	3/16	2	1-1/4	3-9/16	1
WSEZ-308X12-TUFR-SSS	038077	13.4	18-1/8		7-23/32		6							
WSEZ-308X18-TUFR-SSS	038078	17.4	24-1/8		10-23/32		6							

GTEZ Normal Duty Polymer Housed Wide Slot Take-Up Bearings

Series	Shaft Size	Take-up Frame	A	L	With Corrosion Resistant Insert		Unit without Adapter & Nut		Adapter & Nut Assembly	
					Part No.	Description	Part No.	Description	Part No.	Description
204	3/4 20 mm	WS300	1-15/32 37.3	2-3/64	136315	WSTU-GTEZ-012-PCR	136327	WSTU-GTEZ-04-PCR	129967	AN-GT-04-012-CR
					136323	WSTU-GTEZ-20M-PCR			129980	AN-GT-04-20M-CR
205	1 25 mm	WS300	1-29/64 36.9	2-1/64	136316	WSTU-GTEZ-100-PCR	136328	WSTU-GTEZ-05-PCR	129968	AN-GT-05-100-CR
					136324	WSTU-GTEZ-25M-PCR			129981	AN-GT-05-25M-CR
206	1-1/8 1-3/16 1-1/4 30 mm	WS308	1-39/64 40.9	2-21/64	136317	WSTU-GTEZ-102-PCR	136329	WSTU-GTEZ-06-PCR	129969	AN-GT-06-102-CR
					136318	WSTU-GTEZ-103-PCR			129970	AN-GT-06-103-CR
					136319	WSTU-GTEZ-104S-PCR			129971	AN-GT-06-104S-CR
					136325	WSTU-GTEZ-30M-PCR			129982	AN-GT-06-30M-CR
207	1-1/4 1-3/8 1-7/16 35 mm	WS308	1-5/8 41.3	2-5/16	136320	WSTU-GTEZ-104-PCR	136330	WSTU-GTEZ-07-PCR	129972	AN-GT-07-104-CR
					136321	WSTU-GTEZ-106-PCR			129973	AN-GT-07-106-CR
					136322	WSTU-GTEZ-107-PCR			129974	AN-GT-07-107-CR
					136326	WSTU-GTEZ-35M-PCR			129983	AN-GT-07-35M-CR

SCEZ Normal Duty Polymer Housed Wide Slot Take-Up Bearings

Series	Shaft Size	Take-up Frame	A	L	With Corrosion Resistant Insert		Standard Insert With Flingers	
					Part No.	Description	Part No.	Description
204	1/2 5/8 3/4 20 mm	WS-300	1-5/32 29.4	1-51/64	@	WSTU-SCEZ-008L-PCR*	@	WSTU-SCEZ-008L-P
					@	WSTU-SCEZ-010L-PCR*	@	WSTU-SCEZ-010L-P
					127539	WSTU-SCEZ-012-PCR	@	WSTU-SCEZ-012-P
					127574	WSTU-SCEZ-20M-PCR	@	WSTU-SCEZ-20M-P
205	7/8 15/16 1 25 mm	WS-300	1-3/16 30.2	1-53/64	@	WSTU-SCEZ-014-PCR*	@	WSTU-SCEZ-014-P
					@	WSTU-SCEZ-015-PCR*	@	WSTU-SCEZ-015-P
					127540	WSTU-SCEZ-100-PCR	058940	WSTU-SCEZ-100-P
206	1-1/8 1-3/16 1-1/4 30 mm	WS-308	1-25/64 35.3	2-5/32	@	WSTU-SCEZ-014-PCR*	@	WSTU-SCEZ-014-P
					127541	WSTU-SCEZ-103-PCR	@	WSTU-SCEZ-103-P
					127542	WSTU-SCEZ-104S-PCR	@	WSTU-SCEZ-104S-P
					127576	WSTU-SCEZ-30M-PCR	@	WSTU-SCEZ-30M-P
207	1-1/4 1-5/16 1-3/8 1-7/16 35 mm	WS-308	1-17/32 38.9	2-9/32	127543	WSTU-SCEZ-104-PCR	@	WSTU-SCEZ-104-P
					@	WSTU-SCEZ-105-PCR*	@	WSTU-SCEZ-105-P
					@	WSTU-SCEZ-106-PCR*	@	WSTU-SCEZ-106-P
					127544	WSTU-SCEZ-107-PCR	@	WSTU-SCEZ-107-P
					127577	WSTU-SCEZ-35M-PCR	@	WSTU-SCEZ-35M-P

@ Assembled to order * 20 piece minimum



P.O. Box 2400, Fort Smith, AR 72902-2400 U.S.A., Ph: (1) 479.646.4711, Fax (1) 479.648.5792, International Fax (1) 479.648.5895

Baldor - Dodge

6040 Ponders Court, Greenville, SC 29615-4617 U.S.A., Ph: (1) 864.297.4800, Fax: (1) 864.281.2433